

Kafko

In-wall Fiberglass/Acrylic Swimming Pool Steps

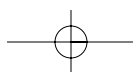
Kafko's exclusive step with double seat and recessed areas for spa jets, add beauty and appeal to any pool. These steps are available in regular, straight, curved or cantilever design. The steps are available in white, grey granite stone and blue granite stone. Also available from Kafko are white and grey snap lock coping skimmers, main drains, return jets and diving boards.

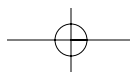


Kafko 8' Curved



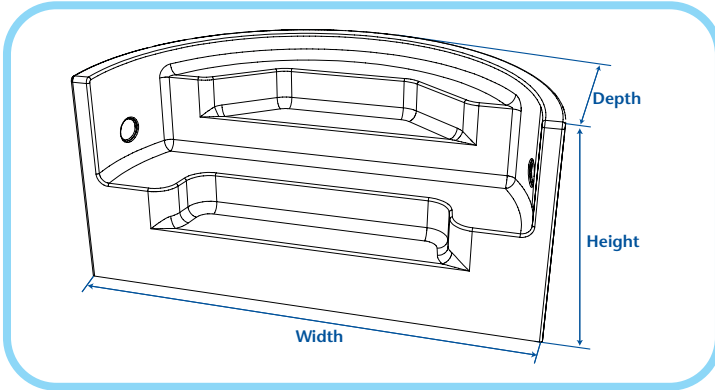
Kafko 8' Roman



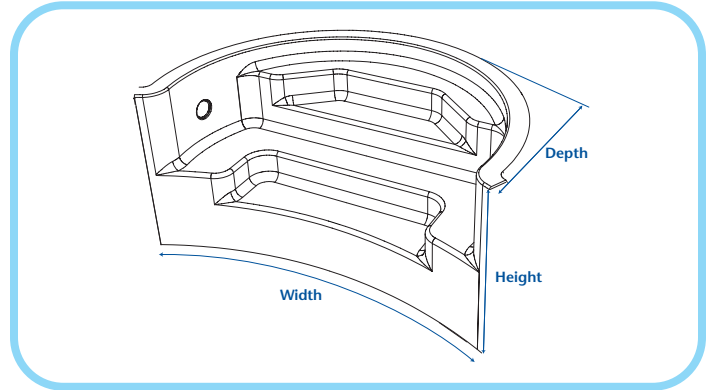


Features:

- Each step is equipped for Hydrotherapy Jets
- Offered in regular and cantilever models
- Two tiered seating, perfect for lounging
- Available in white, grey granite stone and blue granite stone



Kafko's exclusive 8' Roman End Straight In-Wall Step



Kafko's exclusive 8' curved In-Wall Step

Model	Name	Colour	Treads	Dimensions (inches)			Jet Recesses
				Height	Depth	Width	
28-2000-1	8' Roman End	White	4 treads	45	48	96	2
28-2001-9	8' Roman End	Grey	4 treads	45	48	96	2
28-2002-8	8' Roman End	Blue	4 treads	45	48	96	2
28-2020-9	8' Curved	White	4 treads	45	60	96	2
28-2021-8	8' Curved	Grey	4 treads	45	60	96	2
28-2022-7	8' Curved	Blue	4 treads	45	60	96	2
28-2010-9	Cantilever 8' Roman End	White	4 treads	42	48	96	2
28-2011-8	Cantilever 8' Roman End	Grey	4 treads	42	48	96	2
28-2023-6	Cantilever 8' Curved	White	4 treads	42	60	96	2
28-2024-5	Cantilever 8' Curved	Grey	4 treads	42	60	96	2

Dimensions are approximate and rounded to the nearest full inch. Printing colour may vary slightly from actual product.

Granite stone colors subject to change without notice.

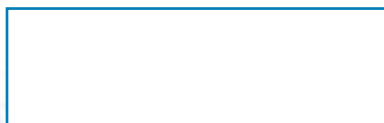
Telescopic Tread Leveller System

Telescopic Tread Leveller now offered to make levelling fast and easy! Simply bolt the steps to the steel walls and adjust the telescoping levellers to the correct level.

Strength and Durability Fiberglass technicians with state-of-the-art laminating equipment ensure full control in directing the polyester laminate to all critical areas of the step. This maintains a completely engineered product.

Structurally Stronger Fiberglass laminate is structurally a stronger, sturdier product that co-extruded material.

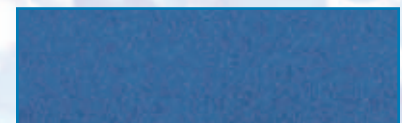
Colors Available



WHITE



GREY GRANITE STONE



BLUE GRANITE STONE

